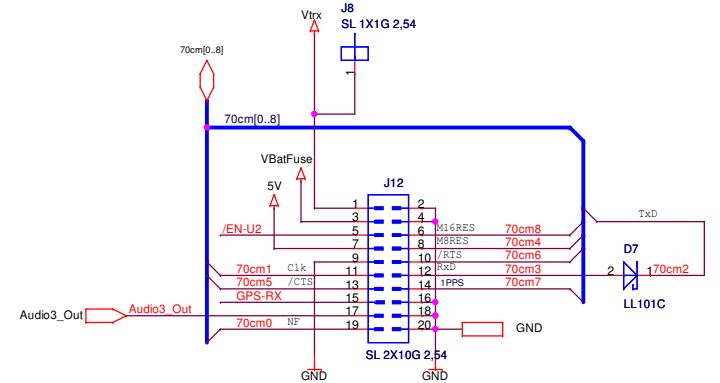
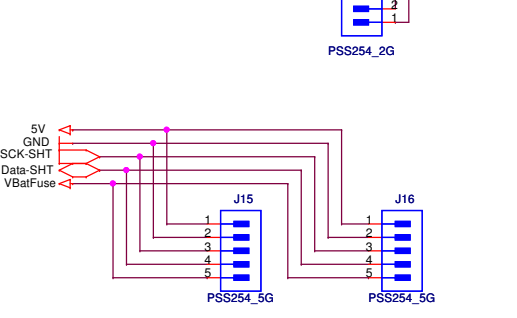
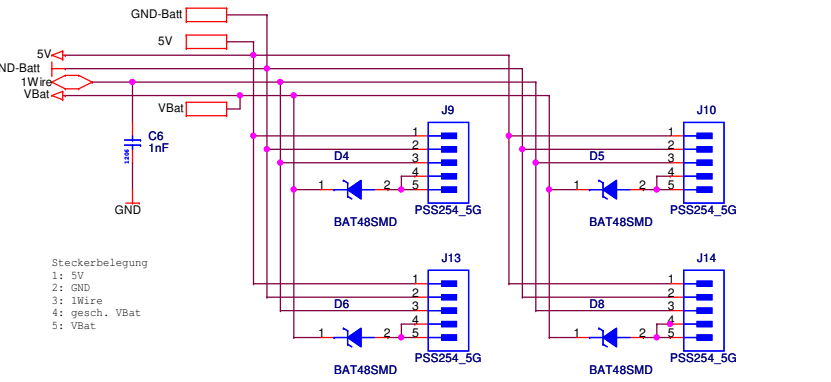
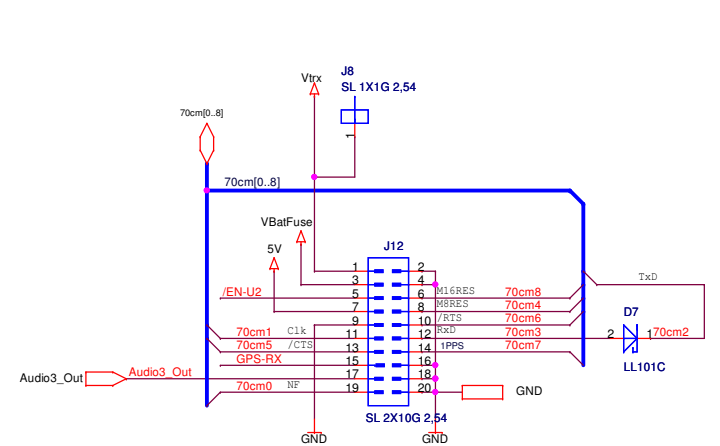
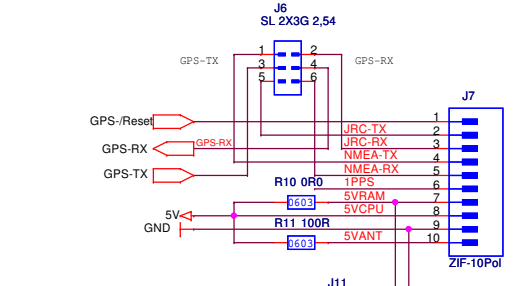
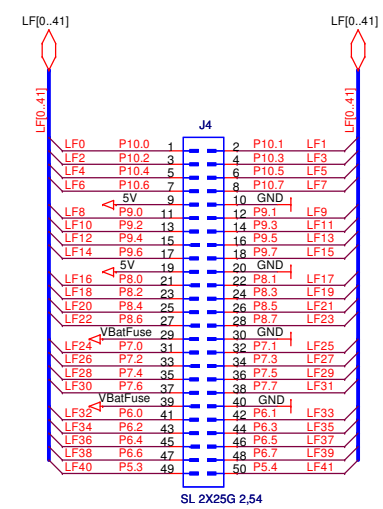
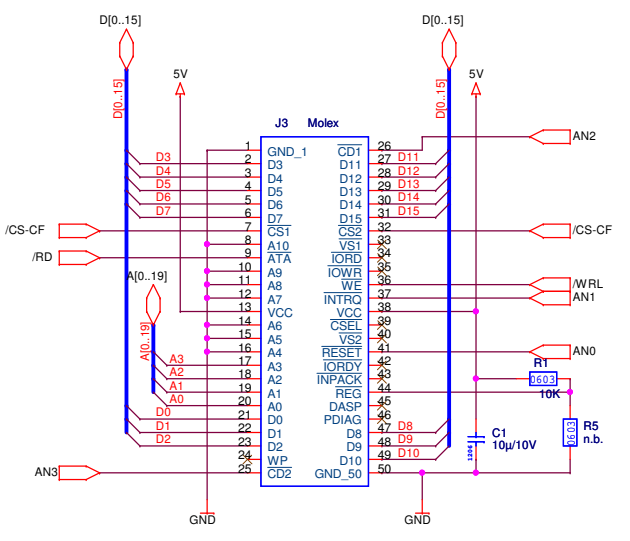
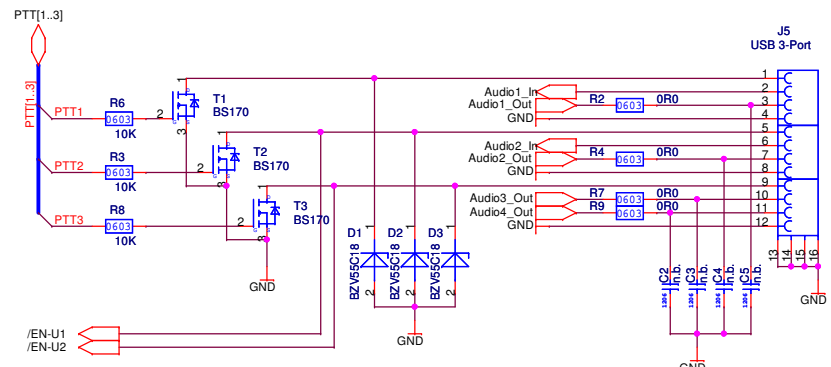
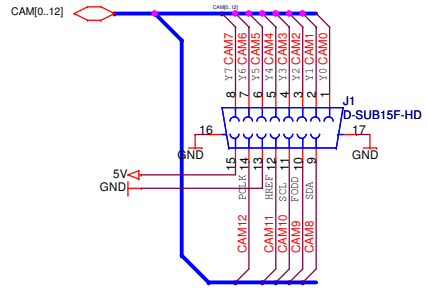
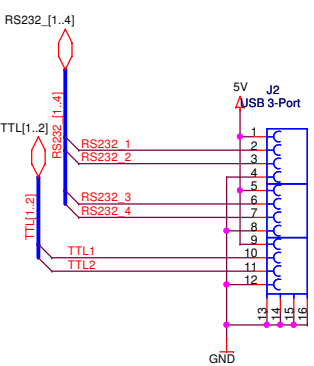
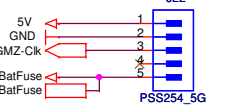
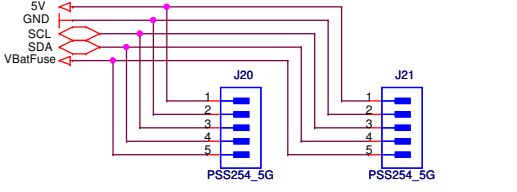
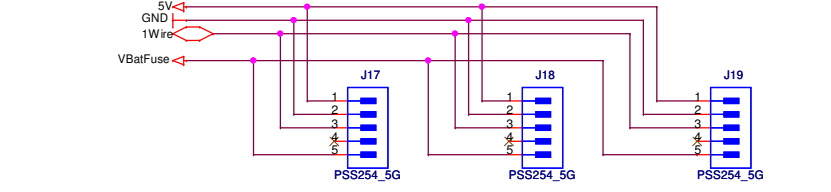


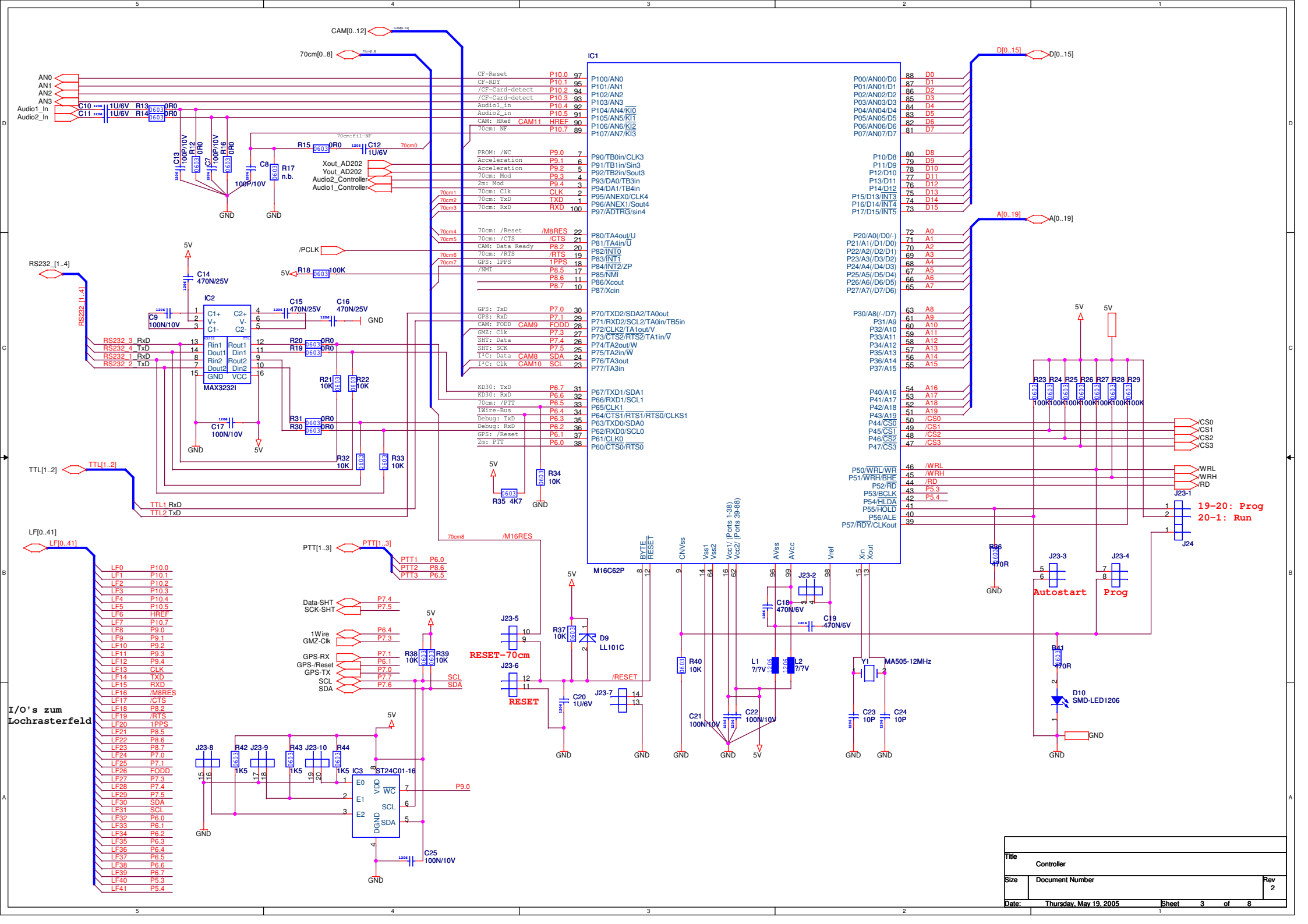
Title		
Übersichtsschaltplan		
Size	Document Number	Rev 2
Date:	Thursday, May 19, 2005	Sheet 1 of 8



Steckerbelegung  
 1: 5V  
 2: GND  
 3: 1Wire  
 4: gesch. VBat  
 5: VBat

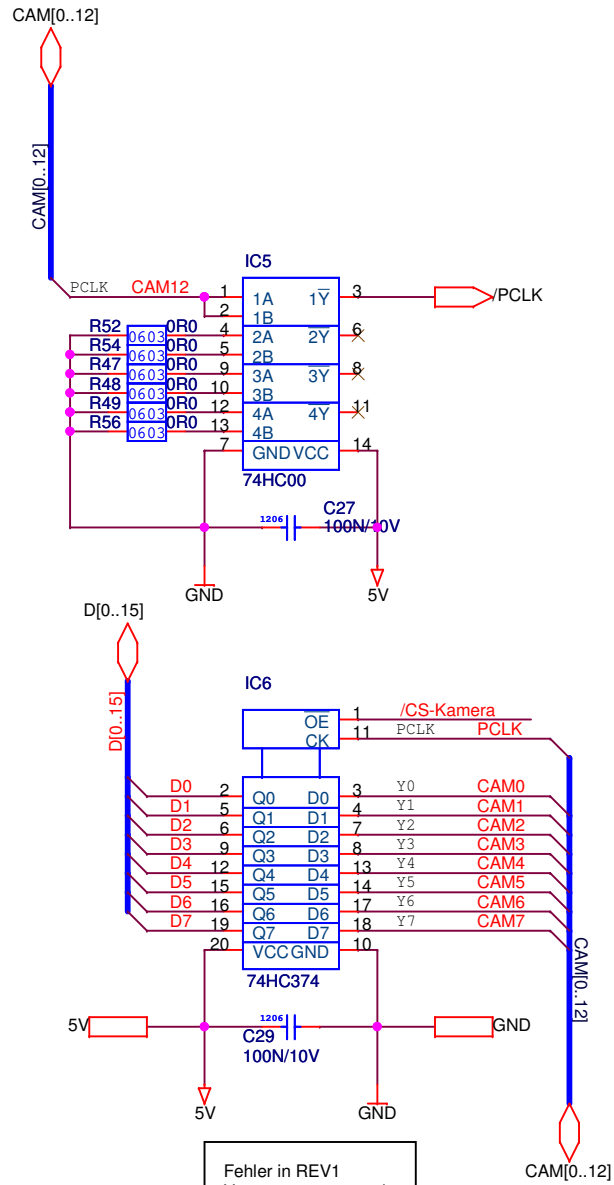


Title		Connectors
Size	Document Number	Rev 2
Date:	Thursday, May 19, 2005	Sheet 2 of 8

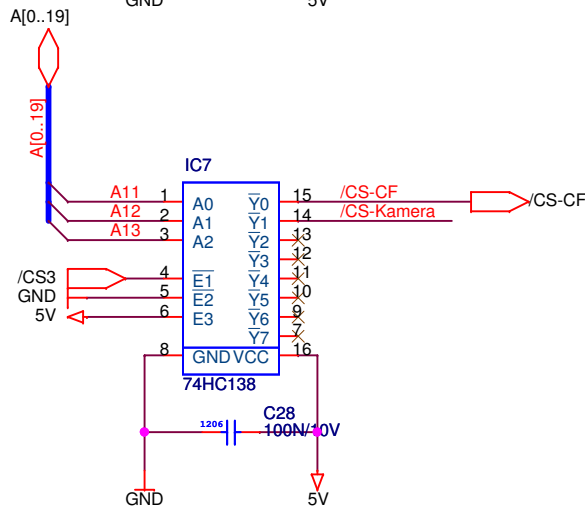
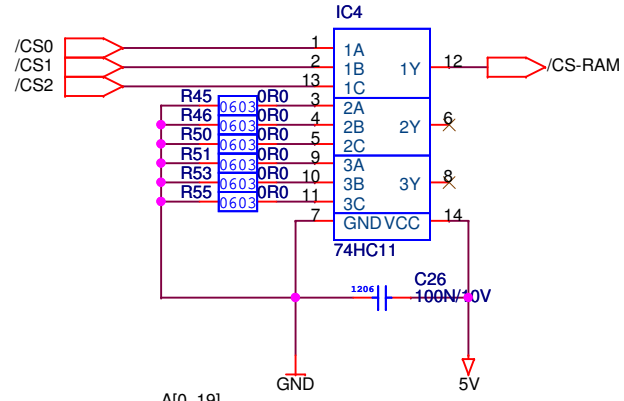


CF-Reset	P10.0	37	P100/AN0	88	D0
CF-RDY	P10.1	35	P101/AN1	87	D1
/CF-Card-detect	P10.2	94	P102/AN2	86	D2
/CF-Card-detect	P10.3	93	P103/AN3	85	D3
Audio1_in	P10.4	92	P104/AN4/K10	84	D4
Audio2_in	P10.5	91	P105/AN5/K11	83	D5
CAM: HRef	CAM11	HREF	P106/AN6/K12	82	D6
70cm: Nr	P10.7	89	P107/AN7/K13	81	D7
PROM: /WC	P9.0	7	P108/D8	80	D8
Acceleration	P9.1	6	P109/D9	79	D9
Acceleration	P9.2	5	P110/D10	78	D10
70cm: Mod	P9.3	4	P111/D11	77	D11
2m: Mod	P9.4	3	P112/D12	76	D12
70cm: Clk	CLK	2	P113/D13	75	D13
70cm: TxD	TXD	1	P114/D14	74	D14
70cm: RxD	RXD	100	P115/D15	73	D15
70cm4: 70cm: /Reset	/M8RES	22	P116/D16	72	A0
70cm5: 70cm: /CTS	CTS	21	P117/D17	71	A1
CAM: Data Ready	P8.2	20	P118/D18	70	A2
70cm: /RTS	/RTS	19	P119/D19	69	A3
GPS: 1PPS	1PPS	18	P120/D20	68	A4
/NMI	P8.5	17	P121/D21	67	A5
P8.6	11		P122/D22	66	A6
P8.7	10		P123/D23	65	A7
GPS: TxD	P7.0	30	P124/D24	64	A8
GPS: RxD	P7.1	29	P125/D25	63	A9
CAM: FODD	FODD	28	P126/D26	62	A10
GM2: Clk	P7.3	27	P127/D27	61	A11
SHT: Data	P7.4	26	P128/D28	60	A12
SHT: SCK	P7.5	25	P129/D29	59	A13
T/C: Data	CAM8	SDA	P130/D30	58	A14
T/C: Clk	CAM10	SCL	P131/D31	57	A15
KD30: TxD	P6.7	31	P132/D32	56	A16
KD30: RxD	P6.6	32	P133/D33	55	A17
70cm: /PIT	P6.5	33	P134/D34	54	A18
1Wire-Bus	P6.4	34	P135/D35	53	A19
Debug: TxD	P6.3	35	P136/D36	52	A20
Debug: RxD	P6.2	36	P137/D37	51	A21
GPS: /Reset	P6.1	37	P138/D38	50	A22
2m: PIT	P6.0	38	P139/D39	49	A23
P6.0	38		P140/D40	48	A24
P6.0	38		P141/D41	47	A25
P6.0	38		P142/D42	46	A26
P6.0	38		P143/D43	45	A27
P6.0	38		P144/D44	44	A28
P6.0	38		P145/D45	43	A29
P6.0	38		P146/D46	42	A30
P6.0	38		P147/D47	41	A31
P6.0	38		P148/D48	40	A32
P6.0	38		P149/D49	39	A33
P6.0	38		P150/D50	38	A34
P6.0	38		P151/D51	37	A35
P6.0	38		P152/D52	36	A36
P6.0	38		P153/D53	35	A37
P6.0	38		P154/D54	34	A38
P6.0	38		P155/D55	33	A39
P6.0	38		P156/D56	32	A40
P6.0	38		P157/D57	31	A41
P6.0	38		P158/D58	30	A42
P6.0	38		P159/D59	29	A43
P6.0	38		P160/D60	28	A44
P6.0	38		P161/D61	27	A45
P6.0	38		P162/D62	26	A46
P6.0	38		P163/D63	25	A47
P6.0	38		P164/D64	24	A48
P6.0	38		P165/D65	23	A49
P6.0	38		P166/D66	22	A50
P6.0	38		P167/D67	21	A51
P6.0	38		P168/D68	20	A52
P6.0	38		P169/D69	19	A53
P6.0	38		P170/D70	18	A54
P6.0	38		P171/D71	17	A55
P6.0	38		P172/D72	16	A56
P6.0	38		P173/D73	15	A57
P6.0	38		P174/D74	14	A58
P6.0	38		P175/D75	13	A59
P6.0	38		P176/D76	12	A60
P6.0	38		P177/D77	11	A61
P6.0	38		P178/D78	10	A62
P6.0	38		P179/D79	9	A63
P6.0	38		P180/D80	8	A64
P6.0	38		P181/D81	7	A65
P6.0	38		P182/D82	6	A66
P6.0	38		P183/D83	5	A67
P6.0	38		P184/D84	4	A68
P6.0	38		P185/D85	3	A69
P6.0	38		P186/D86	2	A70
P6.0	38		P187/D87	1	A71

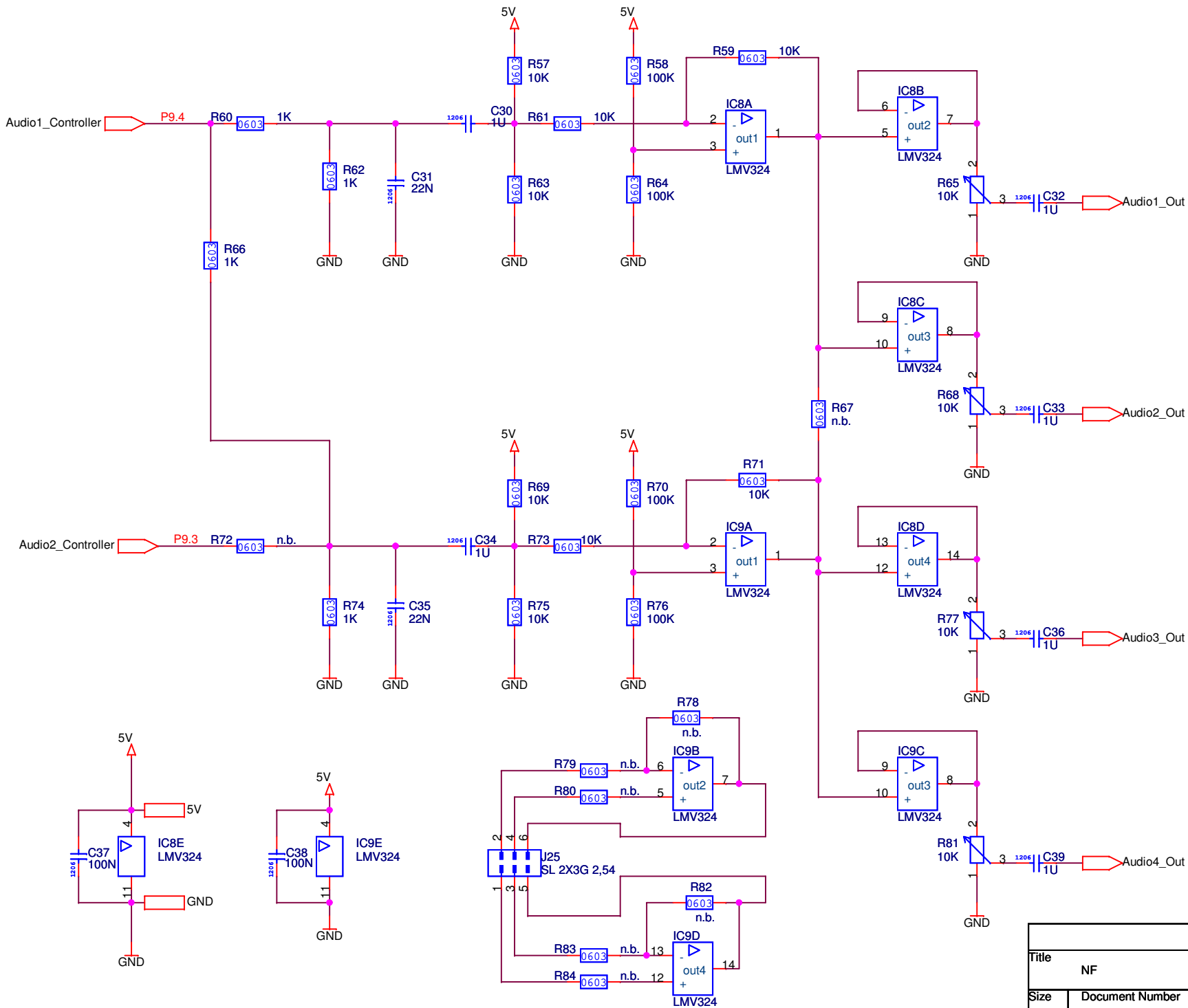
Title	Controller	
Size	Document Number	Rev 2
Date:	Thursday, May 19, 2005	Sheet 3 of 8



Fehler in REV1  
Versorgung vertauscht



Title		
Interfaces		
Size	Document Number	Rev 2
Date:	Thursday, May 19, 2005	Sheet 4 of 8

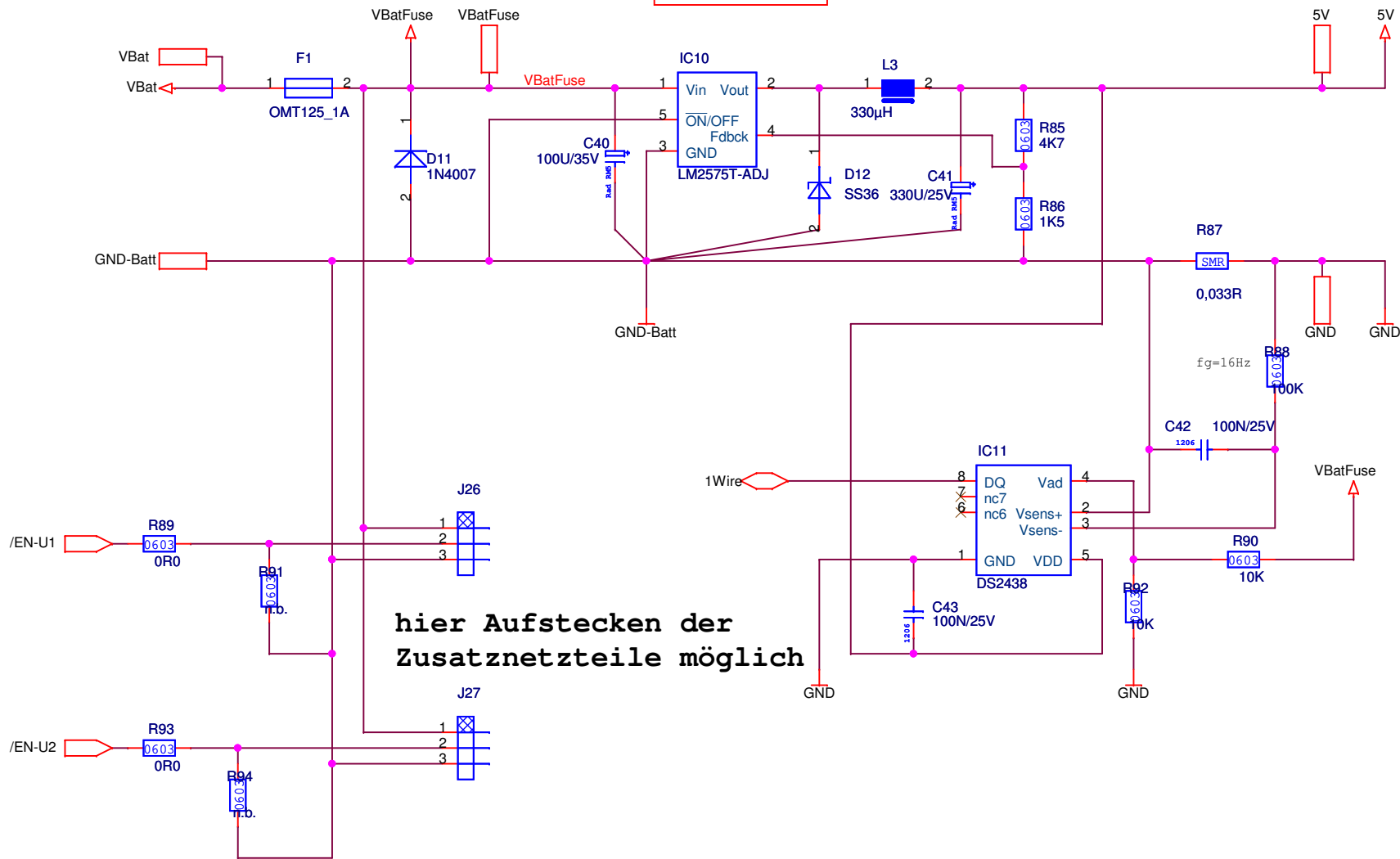


Title		
NF		
Size	Document Number	Rev 2
Date:	Thursday, May 19, 2005	Sheet 5 of 8

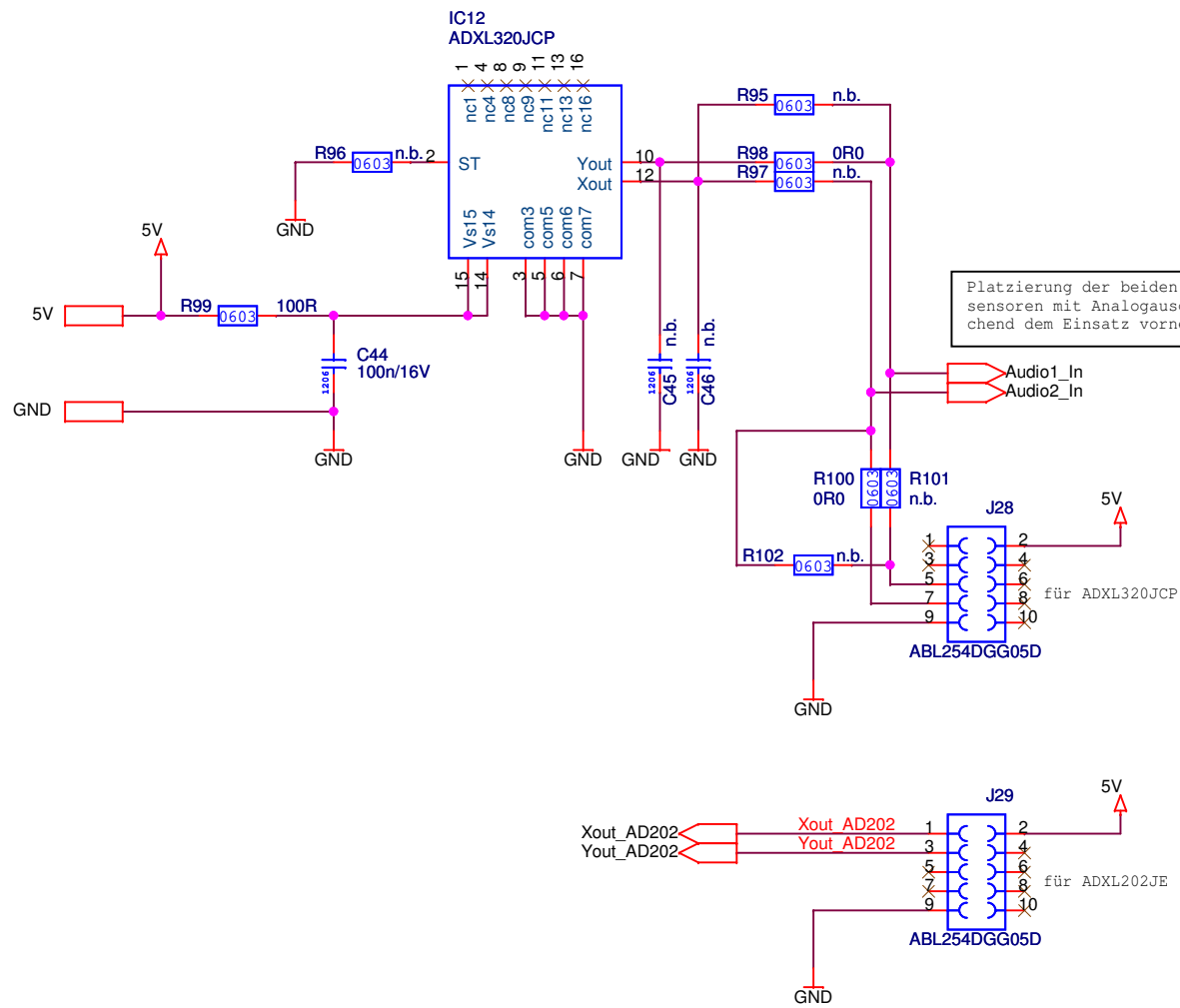
$$V_{out} = V_{ref} (1 + R_{86}/R_{85})$$

$$R_{86} = R_{85} (V_{out}/V_{ref} - 1)$$

$$V_{ref} = 1,23V \quad R_{86} = 1k - 5k$$

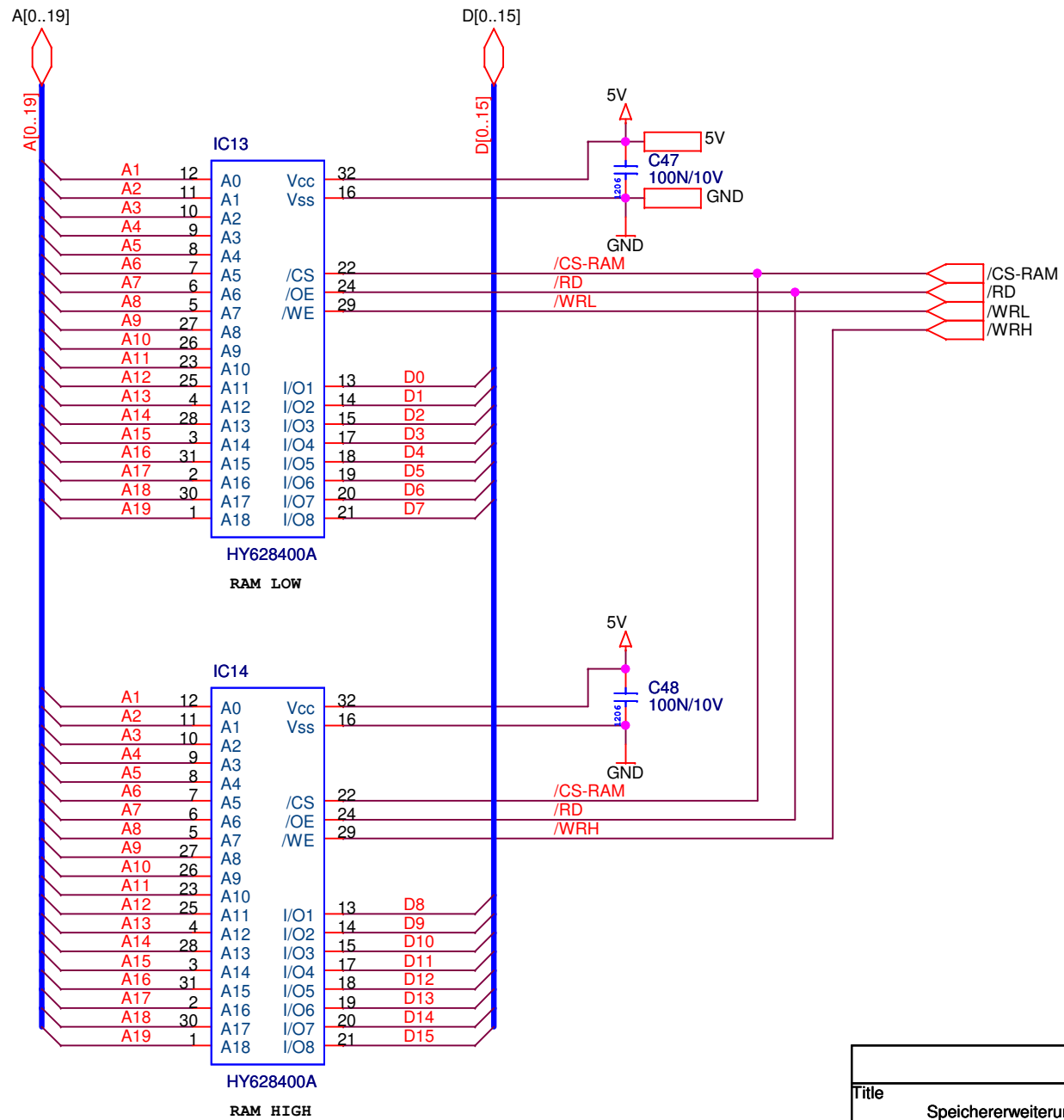


Title		
Netzteil		
Size	Document Number	Rev 2
Date:	Thursday, May 19, 2005	Sheet 6 of 8



Platzierung der beiden Beschleunigungs-  
sensoren mit Analogausgang entspre-  
chend dem Einsatz vornehmen.

Title		
Beschleunigungssensoren		
Size	Document Number	Rev 2
Date:	Thursday, May 19, 2005	Sheet 7 of 8



Title		
Speicherenweiterung		
Size	Document Number	Rev
		2
Date:	Thursday, May 19, 2005	Sheet 8 of 8